

**JACK**  
**STUDIOS**

**STUDIOS + SOUND STAGE GUIDE**

---

# STUDIO 1



**JACK**

601 W. 26TH ST. FL 12 SUITE 1210, NEW YORK, NY 10001 • T + 1.212.367.7590 • E [INFO@JACKSTUDIOS.COM](mailto:INFO@JACKSTUDIOS.COM) • W [JACKSTUDIOS.COM](http://JACKSTUDIOS.COM)

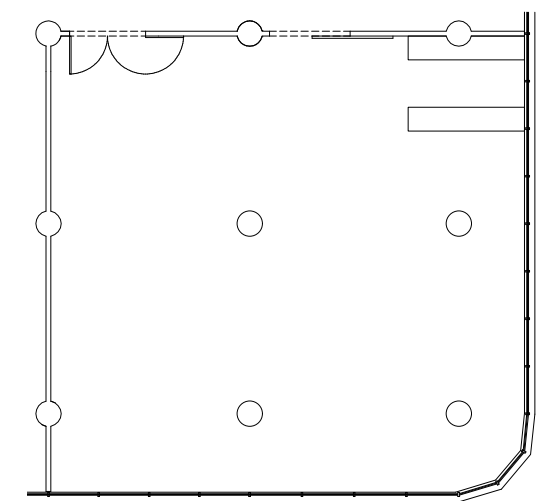
# STUDIO 1



## DETAILS

- SQUARE FEET: 3,500
- CEILING HEIGHT: 13'
- EXPOSURE: East, South and West
- Can be combined with Studio 2 for a total of 5,500 sq/ft
- Can be combined with Studio 3 for a total of 6,500 sq/ft
- Can be combined with all studios for a total of 50,000 sq/ft

- POWER: 300 amps per studio
- Workstation featuring a Mac desktop
- Full-service printing and scanning capability
- 1 GB/s high-speed internet
- Universal surround sound



# STUDIO 2



**JACK**

601 W. 26TH ST. FL 12 SUITE 1210, NEW YORK, NY 10001 • T + 1.212.367.7590 • E [INFO@JACKSTUDIOS.COM](mailto:INFO@JACKSTUDIOS.COM) • W [JACKSTUDIOS.COM](http://JACKSTUDIOS.COM)



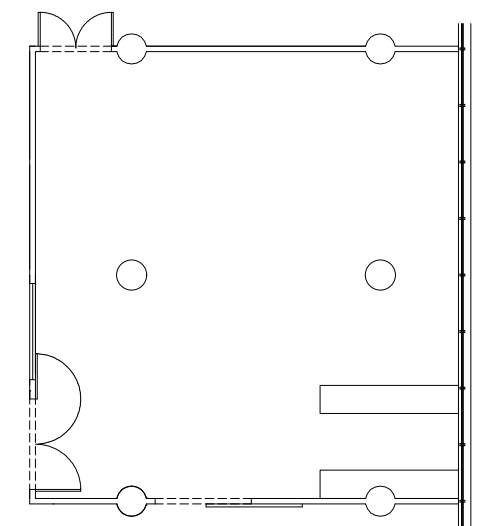
# STUDIO 2



## DETAILS

- SQUARE FEET: 2,000
- CEILING HEIGHT: 13'
- EXPOSURE: East, Southeast
- Can be combined with Studio 1 for a total of 5,500 sq/ft
- Can be combined with Studio 4 for a total of 5,500 sq/ft
- Can be combined with all studios for a total of 50,000 sq/ft

- POWER: 300 amps per studio
- Workstation featuring a Mac desktop
- Full-service printing and scanning capability
- 1 GB/s high-speed internet
- Universal surround sound



# STUDIO 3



**JACK**

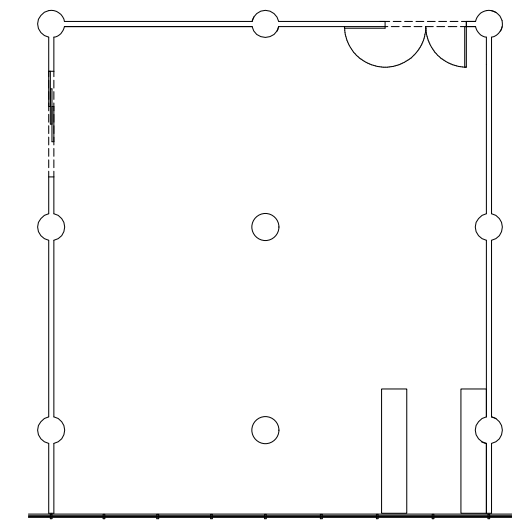
601 W. 26TH ST. FL 12 SUITE 1210, NEW YORK, NY 10001 • T + 1.212.367.7590 • E [INFO@JACKSTUDIOS.COM](mailto:INFO@JACKSTUDIOS.COM) • W [JACKSTUDIOS.COM](http://JACKSTUDIOS.COM)

# STUDIO 3



## DETAILS

- SQUARE FEET: 3,000
- CEILING HEIGHT: 13'
- EXPOSURE: South, Southwest
- Can be combined with Studio 1 for a total of 6,500 sq/ft
- Can be combined with Studio 8 for a total of 8,000 sq/ft
- Can be combined with all studios for a total of 50,000 sq/ft
- Can be combined with private kitchen
- POWER: 300 amps per studio
- Workstation featuring a Mac desktop
- Full-service printing and scanning capability
- 1 GB/s high-speed internet
- Universal surround sound



**JACK**

601 W. 26TH ST. FL 12 SUITE 1210, NEW YORK, NY 10001 • T + 1.212.367.7590 • E [INFO@JACKSTUDIOS.COM](mailto:INFO@JACKSTUDIOS.COM) • W [JACKSTUDIOS.COM](http://JACKSTUDIOS.COM)

# STUDIO 4



**JACK**

601 W. 26TH ST. FL 12 SUITE 1210, NEW YORK, NY 10001 • T + 1.212.367.7590 • E [INFO@JACKSTUDIOS.COM](mailto:INFO@JACKSTUDIOS.COM) • W [JACKSTUDIOS.COM](http://JACKSTUDIOS.COM)



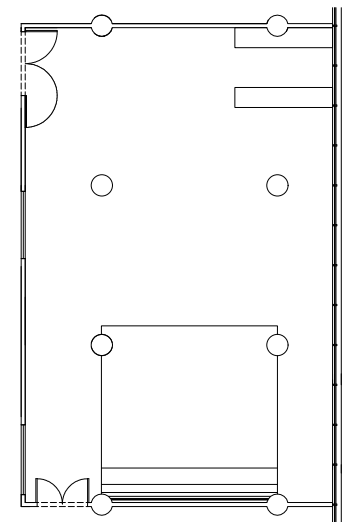
# STUDIO 4



## DETAILS

- SQUARE FEET: 3,500
- CYCLORAMA: 22' W x 24' D x 13' H
- CEILING HEIGHT: 13'
- EXPOSURE: East, Southeast
- Can be combined with Studio 2 for a total of 5,500 sq/ft
- Can be combined with Studio 5 for a total of 8,000 sq/ft

- Can be combined with all studios for a total of 50,000 sq/ft
- POWER: 300 amps per studio
- Workstation featuring a Mac desktop
- Full-service printing and scanning capability
- 1 GB/s high-speed internet
- Universal surround sound



# STUDIO 5



**JACK**

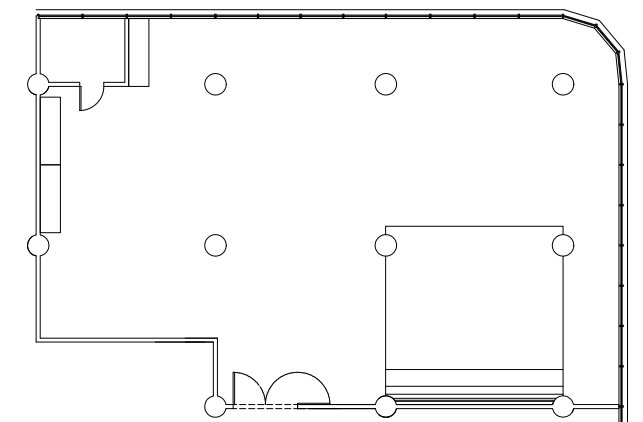
601 W. 26TH ST. FL 12 SUITE 1210, NEW YORK, NY 10001 • T + 1.212.367.7590 • E [INFO@JACKSTUDIOS.COM](mailto:INFO@JACKSTUDIOS.COM) • W [JACKSTUDIOS.COM](http://JACKSTUDIOS.COM)

# STUDIO 5



## DETAILS

- SQUARE FEET: 5,000
- CYCLORAMA: 22' W x 24' D x 13' H
- CEILING HEIGHT: 13'
- EXPOSURE: North, East and Southeast
- Can be combined with Studio 4 for a total of 8,500 sq/ft
- Can be combined with all studios for a total of 50,000 sq/ft
- POWER: 300 amps per studio
- Workstation featuring a Mac desktop
- Full-service printing and scanning capability
- 1 GB/s high-speed internet
- Universal surround sound





# STUDIO 6



**JACK**

601 W. 26TH ST. FL 12 SUITE 1210, NEW YORK, NY 10001 • T + 1.212.367.7590 • E [INFO@JACKSTUDIOS.COM](mailto:INFO@JACKSTUDIOS.COM) • W [JACKSTUDIOS.COM](http://JACKSTUDIOS.COM)



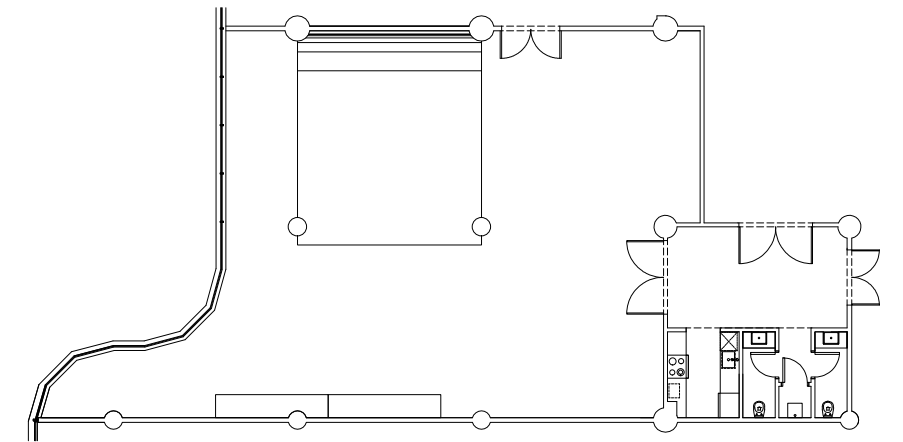
# STUDIO 6



## DETAILS

- SQUARE FEET: 4,000
- CYCLORAMA: 22' W x 24' D x 13' H
- CEILING HEIGHT: 13'
- EXPOSURE: South and West
- Can be combined with Studio 7 for a total of 10,000 sq/ft
- Can be combined with Studio 8 for a total of 9,000 sq/ft
- Can be combined with all studios for a total of 50,000 sq/ft

- Fully equipped, state-of-the-art private kitchen
- POWER: 300 amps per studio
- Workstation featuring a Mac desktop
- Full-service printing and scanning capability
- 1 GB/s high-speed internet
- Universal surround sound



# STUDIO 7



**JACK**

601 W. 26TH ST. FL 12 SUITE 1210, NEW YORK, NY 10001 • T + 1.212.367.7590 • E [INFO@JACKSTUDIOS.COM](mailto:INFO@JACKSTUDIOS.COM) • W [JACKSTUDIOS.COM](http://JACKSTUDIOS.COM)

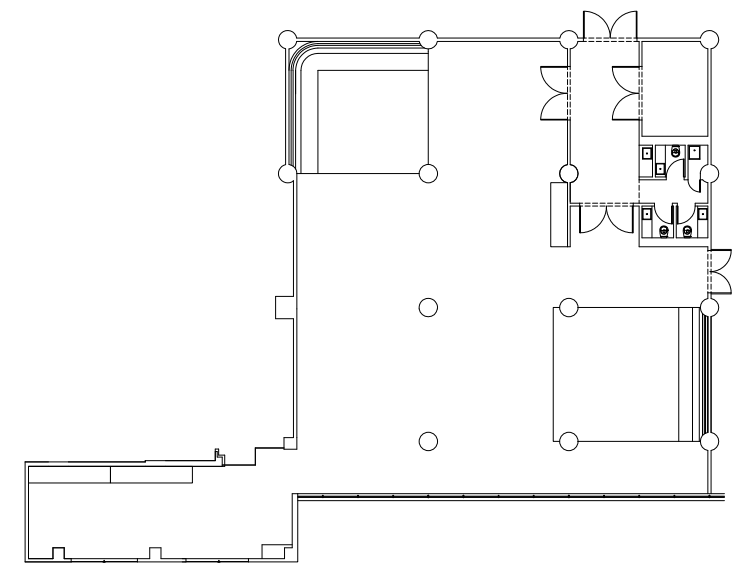
# STUDIO 7



## DETAILS

- SQUARE FEET: 6,000
- CYCLORAMA: 22' W x 24' D x 13' H
- CEILING HEIGHT: 13'
- EXPOSURE: South and West
- Can be combined with Studio 7 for a total of 10,000 sq/ft
- Can be combined with Studio 8 for a total of 9,000 sq/ft
- Can be combined with all studios for a total of 50,000 sq/ft

- Fully equipped, state-of-the-art private kitchen
- POWER: 300 amps per studio
- Workstation featuring a Mac desktop
- Full-service printing and scanning capability
- 1 GB/s high-speed internet
- Universal surround sound



# STUDIO 8



**JACK**

601 W. 26TH ST. FL 12 SUITE 1210, NEW YORK, NY 10001 • T + 1.212.367.7590 • E [INFO@JACKSTUDIOS.COM](mailto:INFO@JACKSTUDIOS.COM) • W [JACKSTUDIOS.COM](http://JACKSTUDIOS.COM)



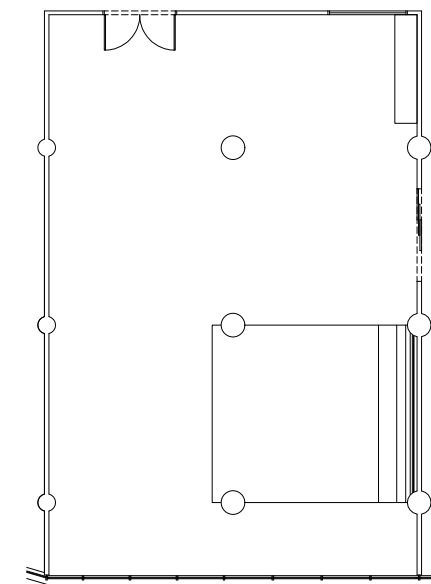
# STUDIO 8



## DETAILS

- SQUARE FEET: 5,000
- CYCLORAMA: 22' W x 24' D x 13' H
- CEILING HEIGHT: 13'
- EXPOSURE: South and West
- Can be combined with Studio 3 for a total of 8,000 sq/ft
- Can be combined with Studio 6 for a total of 9,000 sq/ft
- Can be combined with all studios for a total of 50,000 sq/ft

- Fully equipped, state-of-the-art private kitchen
- POWER: 300 amps per studio
- Workstation featuring a Mac desktop
- Full-service printing and scanning capability
- 1 GB/s high-speed internet
- Universal surround sound



# JACK CAFÉ



**JACK**

601 W. 26TH ST. FL 12 SUITE 1210, NEW YORK, NY 10001 • T + 1.212.367.7590 • E [INFO@JACKSTUDIOS.COM](mailto:INFO@JACKSTUDIOS.COM) • W [JACKSTUDIOS.COM](http://JACKSTUDIOS.COM)

# JACK CAFÉ



## OVERVIEW

JACK offers an exquisite range of catering for ALL shoots and events. Featuring diverse menus for breakfast, lunch, craft services, sit-down dinners, passed hors d'oeuvres and beverage packages. We love collaborating with our clients and premiere catering teams to customize the best Food & Beverage packages, ALL based on your creative and budgetary needs.

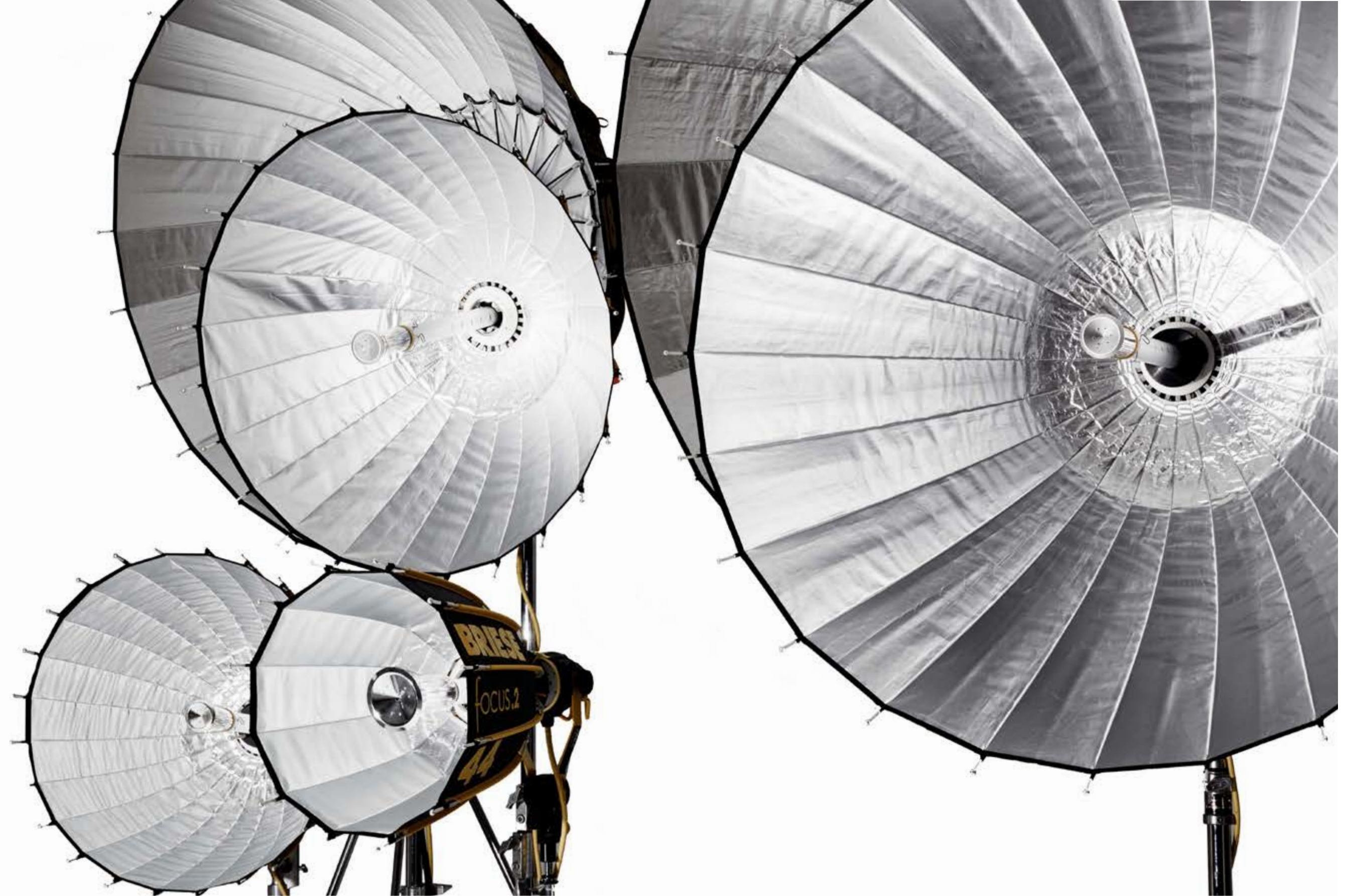
- SMOOTHIES
- PRESSED JUICES
- SPARKLING + STILL WATER
- ALL COFFEE + ESPRESSO DRINKS
- EXTENSIVE ARRAY OF TEAS
- JAPANESE MATCHA
- SODA
- KOMBUCHA
- **SNACKS:** CHIPS, GRANOLA BARS, CHOCOLATE, GUM, MINTS
- MUCH MORE

**JACK**

601 W. 26TH ST. FL 12 SUITE 1210, NEW YORK, NY 10001 • T + 1.212.367.7590 • E [INFO@JACKSTUDIOS.COM](mailto:INFO@JACKSTUDIOS.COM) • W [JACKSTUDIOS.COM](http://JACKSTUDIOS.COM)



# EQ + DIGITAL



**JACK**

601 W. 26TH ST. FL 12 SUITE 1210, NEW YORK, NY 10001 • T + 1.212.367.7590 • E [INFO@JACKSTUDIOS.COM](mailto:INFO@JACKSTUDIOS.COM) • W [JACKSTUDIOS.COM](http://JACKSTUDIOS.COM)



# EQ + DIGITAL

## OVERVIEW

---

JACK EQ + Digital is with you in studio and on location! Our team of digital technicians and shoot + production assistants service every shoot and event, through any workflow. We provide digital capture services, exhibition printing and tailored archive management.

For more info on location and vehicle packages on location:

**+1 (212) 367-7590** or **eq@jackstudios.com**

---

• AUDIO

• DIGITAL

• ELECTRIC

• EXPENDABLES

• GRIP

• LIGHTING

• PRODUCTION

• SET

• APPLE

• ARRI

• AVENGER

• BRIESE

• BRONCOLOR

• CAMLOK

• CANON

• CHIMERA

• ELINCHROM

• ETC

• EZ-UP

• FOBA

• GITZO

• HONDA

• INOVATIV

• JBL

• JIFFY

• K5600

• LEE FILTERS

• LEX PRODUCTS

• LITEPANEL

• MACKIE

• MAMIYA

• NIKON

• OWC

• PHASE ONE

• PLUME

• PROFOTO

• QUANTUM

• REEL FEX

• ROSCO

• SCHNEIDER

• SHURE

• SONY

• ZEISS

*AND SO MUCH MORE!*

---

**JACK**

601 W. 26TH ST. FL 12 SUITE 1210, NEW YORK, NY 10001 • **T + 1.212.367.7590** • **E INFO@JACKSTUDIOS.COM** • **W JACKSTUDIOS.COM**

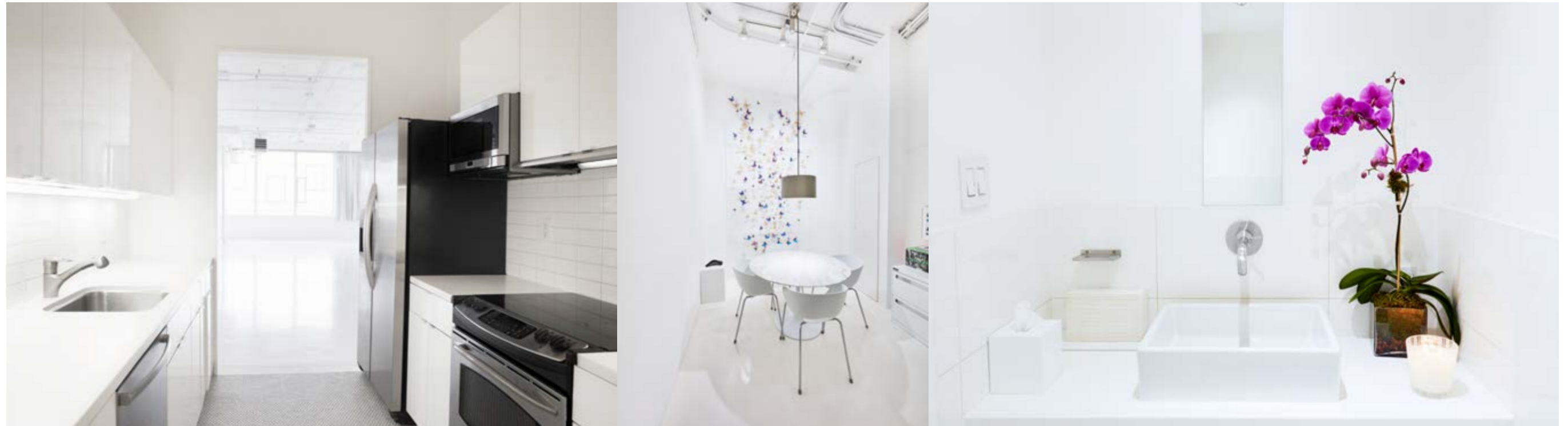
# CLIENT SERVICES



**JACK**

601 W. 26TH ST. FL 12 SUITE 1210, NEW YORK, NY 10001 • T + 1.212.367.7590 • E [INFO@JACKSTUDIOS.COM](mailto:INFO@JACKSTUDIOS.COM) • W [JACKSTUDIOS.COM](http://JACKSTUDIOS.COM)

# PRODUCTION + CLIENT SERVICES



## OVERVIEW

---

- Full kitchen available
- 10 bathrooms, with shower access
- Conference Room
- Complimentary Wi-Fi
- Mac station, colored printer + scanner available
- On-site catering assistance
- Set-building + furniture rental
- Shoot + event production
- Your client storage, delivery + pickup
- FedEx + UPS available
- Pet-friendly environment

---

**JACK**

601 W. 26TH ST. FL 12 SUITE 1210, NEW YORK, NY 10001 • T + 1.212.367.7590 • E [INFO@JACKSTUDIOS.COM](mailto:INFO@JACKSTUDIOS.COM) • W [JACKSTUDIOS.COM](http://JACKSTUDIOS.COM)



# EVENTS WITH JACK



**JACK**

601 W. 26TH ST. FL 12 SUITE 1210, NEW YORK, NY 10001 • T + 1.212.367.7590 • E [INFO@JACKSTUDIOS.COM](mailto:INFO@JACKSTUDIOS.COM) • W [JACKSTUDIOS.COM](http://JACKSTUDIOS.COM)



# EVENTS WITH JACK

## OVERVIEW

---

JACK is a full-service event venue, with 8 studios featuring breathtaking views of Manhattan and the Hudson River. All studios can be combined for over 50,000 square feet of space.

We pride ourselves on unparalleled service and versatility for the most prestigious events in NYC, whether planning a product launch, private party, fashion show or corporate meeting – first-class service will cater your individualized needs and enhance your vision.

---

- Private Conference Room
- Two kitchens
- Full-service café
- Roof access
- Oversized freight elevator
- 24/7 availability

With on-site event production services: lighting + A/V equipment, furniture + party rentals, catering and creative, JACK can customize packages for your project and budget.

For more info on location and vehicle packages on location:  
**+1 (212) 367-7590** or **events@jackstudios.com**

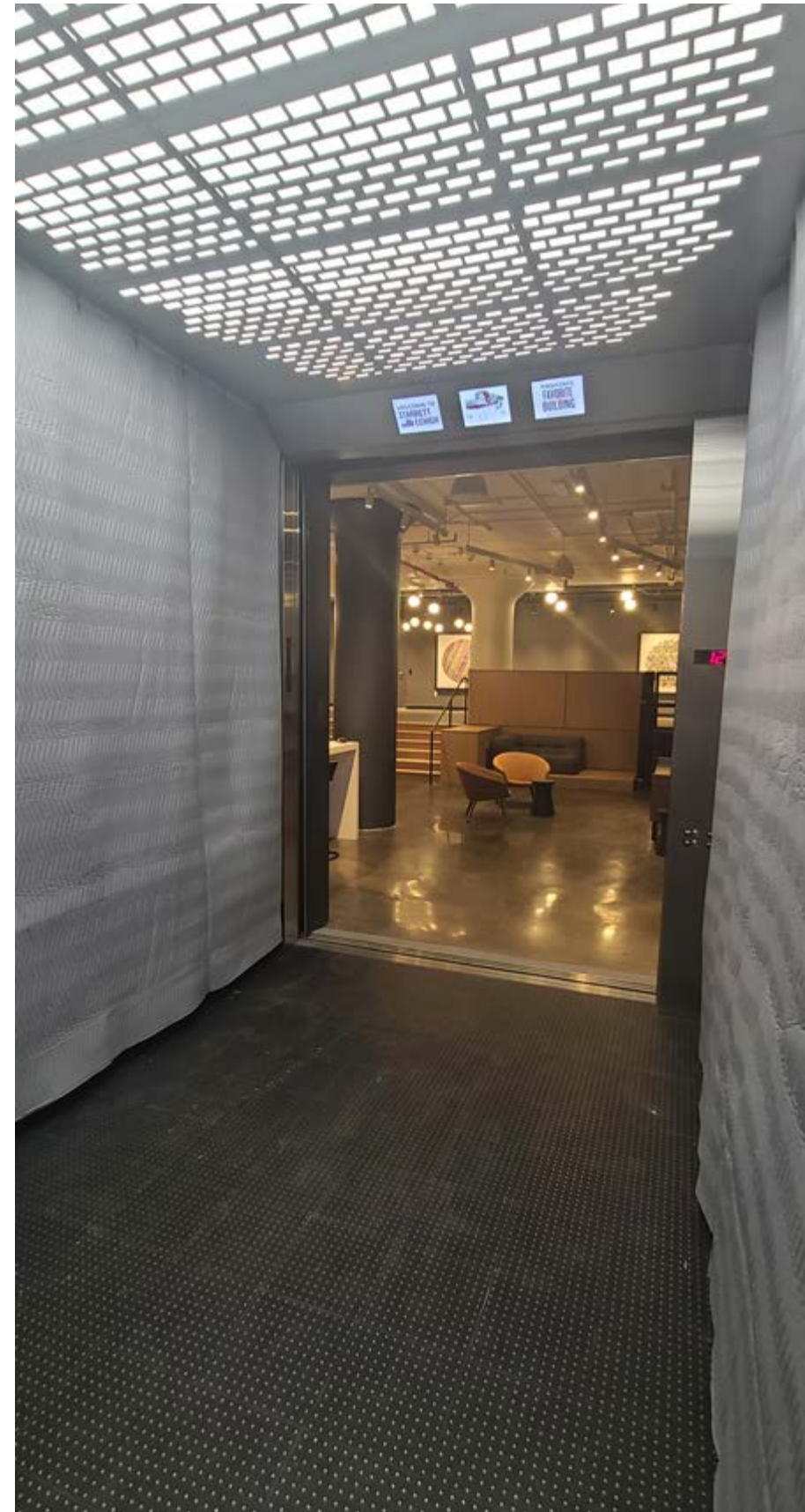
## NEW OVERSIZED FREIGHT

---

This gigantic, oversized freight elevator is the perfect conveyor for clients to load in and out their sets and props at 601 W. 26th St.

With a robust design tailored to accommodate heavy and large loads of various and props – it is the industry standard.

Available for use now!





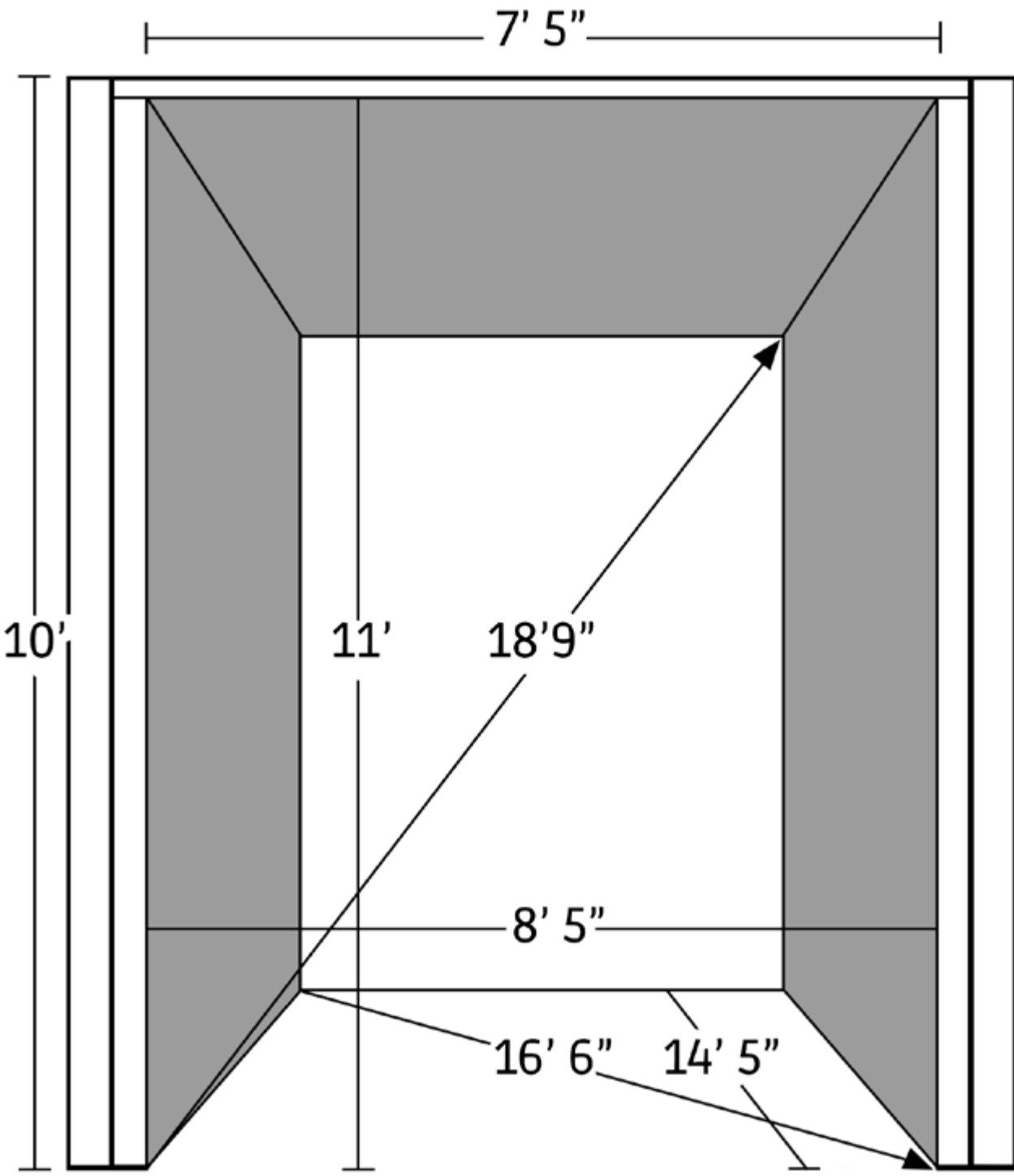
# NEW OVERSIZED FREIGHT



## DIMENSIONS

CABIN	DOORS
11'	H 10'
8' 5"	W 7' 5"
14' 5"	
18' 9"	
16' 6"	

**CAPACITY:** 75 persons  
**LOAD:** 30,000 lbs.



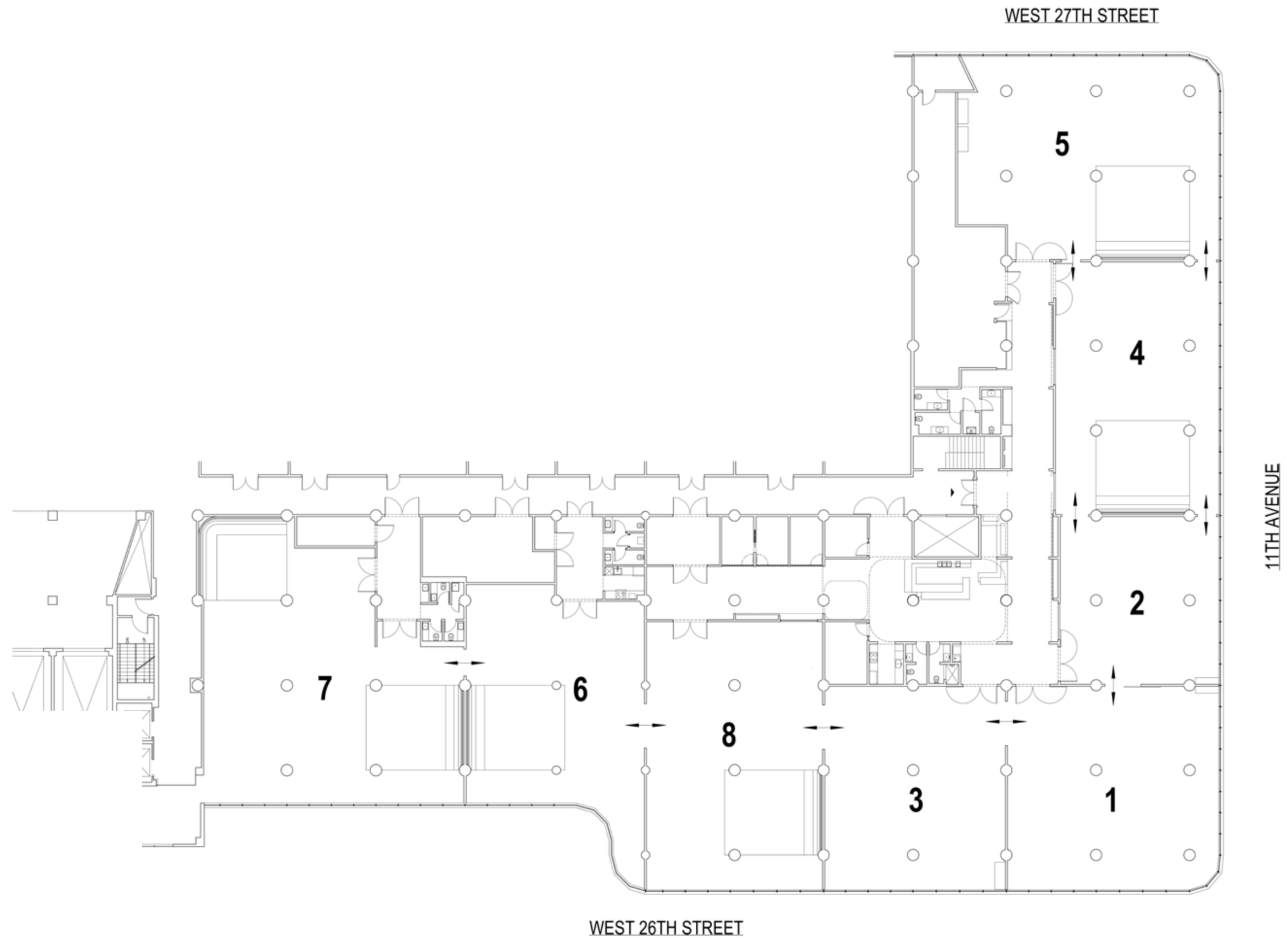
## DIRECTIONS FOR USE

- **OPERATION HOURS:** After 6PM, Monday through Friday
- Notify us during the bookings process of specific oversized freight needs and schedule for load-in and load-out
- Coordinate logistics with our Equipment Room by emailing [eq@jackstudios.com](mailto:eq@jackstudios.com) or calling us at (212) 367-7590



# JACK STUDIOS

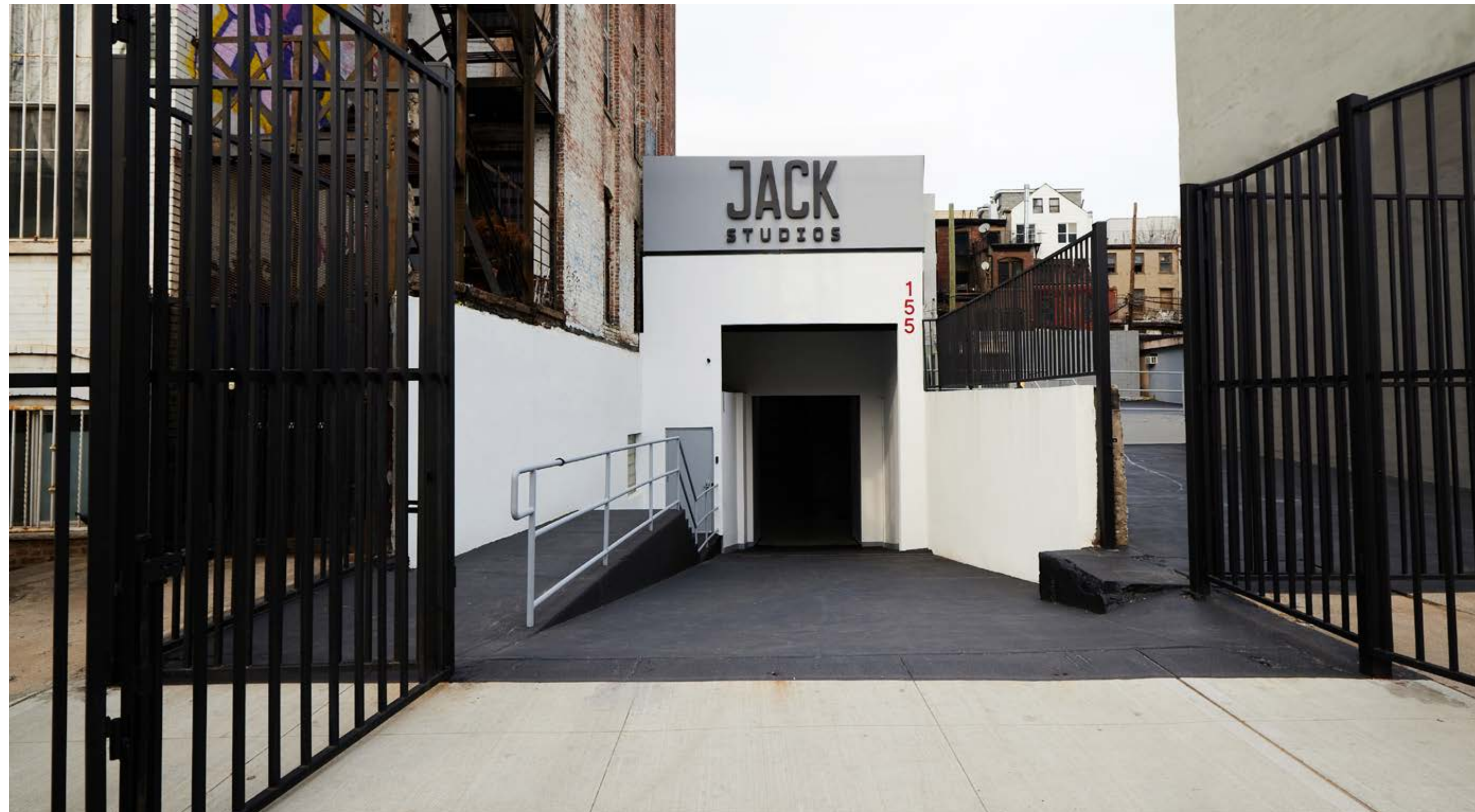
## STUDIOS FLOOR PLAN



601 W. 26TH ST. FL 12 SUITE 1210, NEW YORK, NY 10001 • T + 1.212.367.7590 • E INFO@JACKSTUDIOS.COM • W JACKSTUDIOS.COM

# JACK

STUDIOS  
SOUND STAGE



---

**WILLIAMSBURG, BROOKLYN**

Level 2 Qualified Film Production Facility  
**Governor's Office of Motion Picture & Television Development**

---



# JACK

STUDIOS  
SOUND STAGE



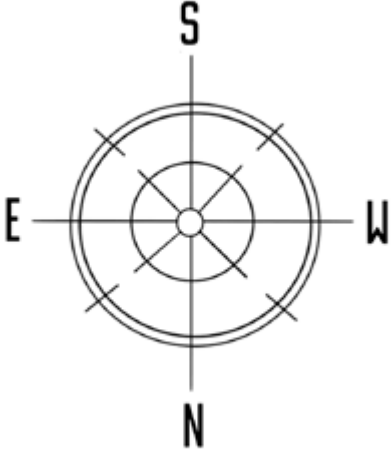
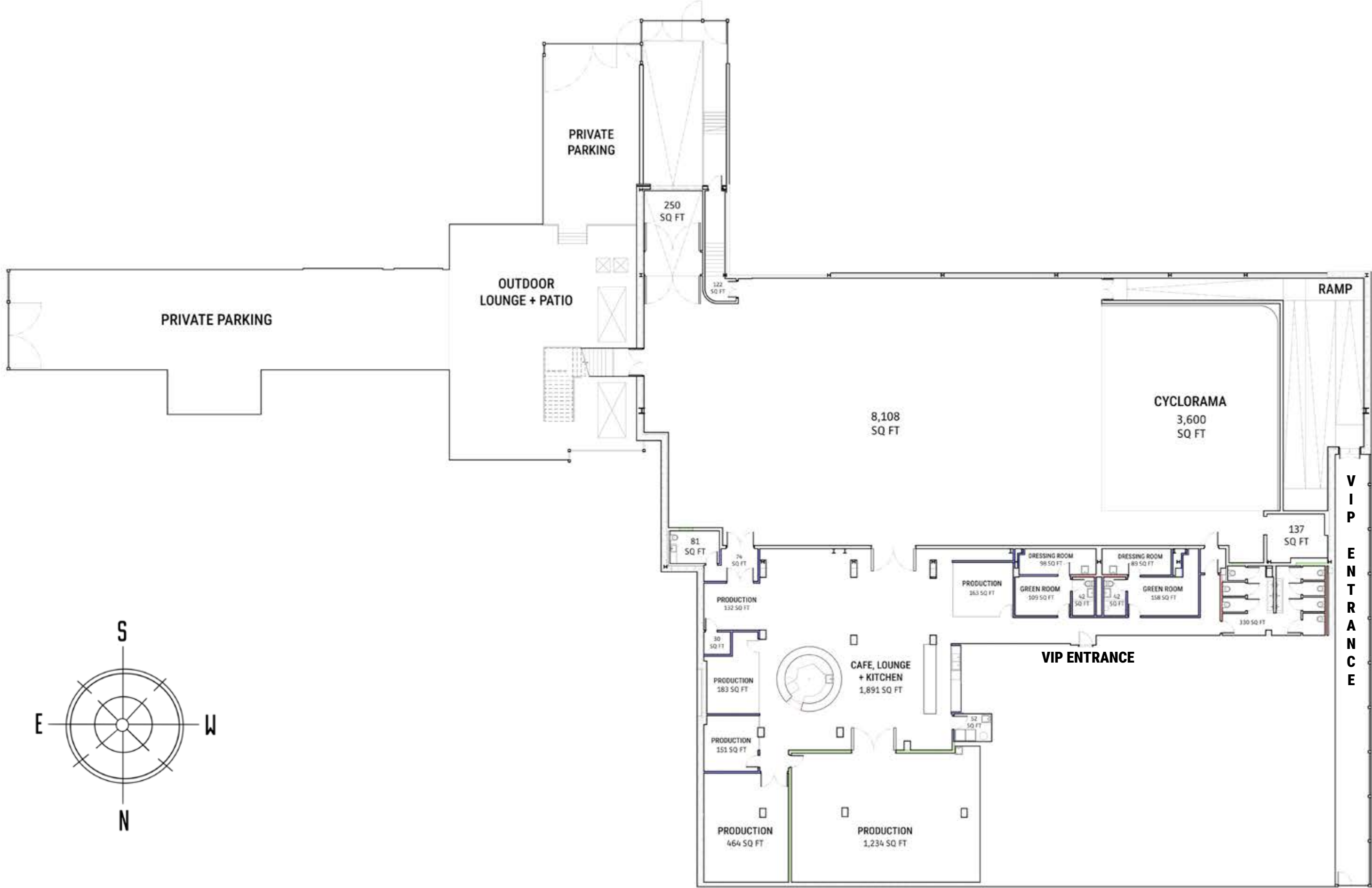
## OVERVIEW

---

- 20,000 square feet of modern, private production facility in Williamsburg
  - Drive-in Studio and Sound Stage with multiple VIP entrances, with all areas handicap accessible
  - Certified NC-17 Soundproof
  - Designed with fully furnished VIP green rooms, complete with celebrity wardrobe, hair sinks and makeup stations, 10 bathrooms and green room showers
  - Silent heating and air conditioning with climate control in each room
  - Exclusive Outdoor Lounge
  - Picture-ready kitchen, for use in-camera, prep or catering any event
  - Production and post-production suites, convertible to fit any need
  - On-site set shop for set design and set fabrication
  - On-site equipment room, for all equipment needs, in-studio and on-location
  - Built-in Sonos audio system for client individual space control
  - High-speed and Wi-Fi connectivity
-

# JACK STUDIOS SOUND STAGE

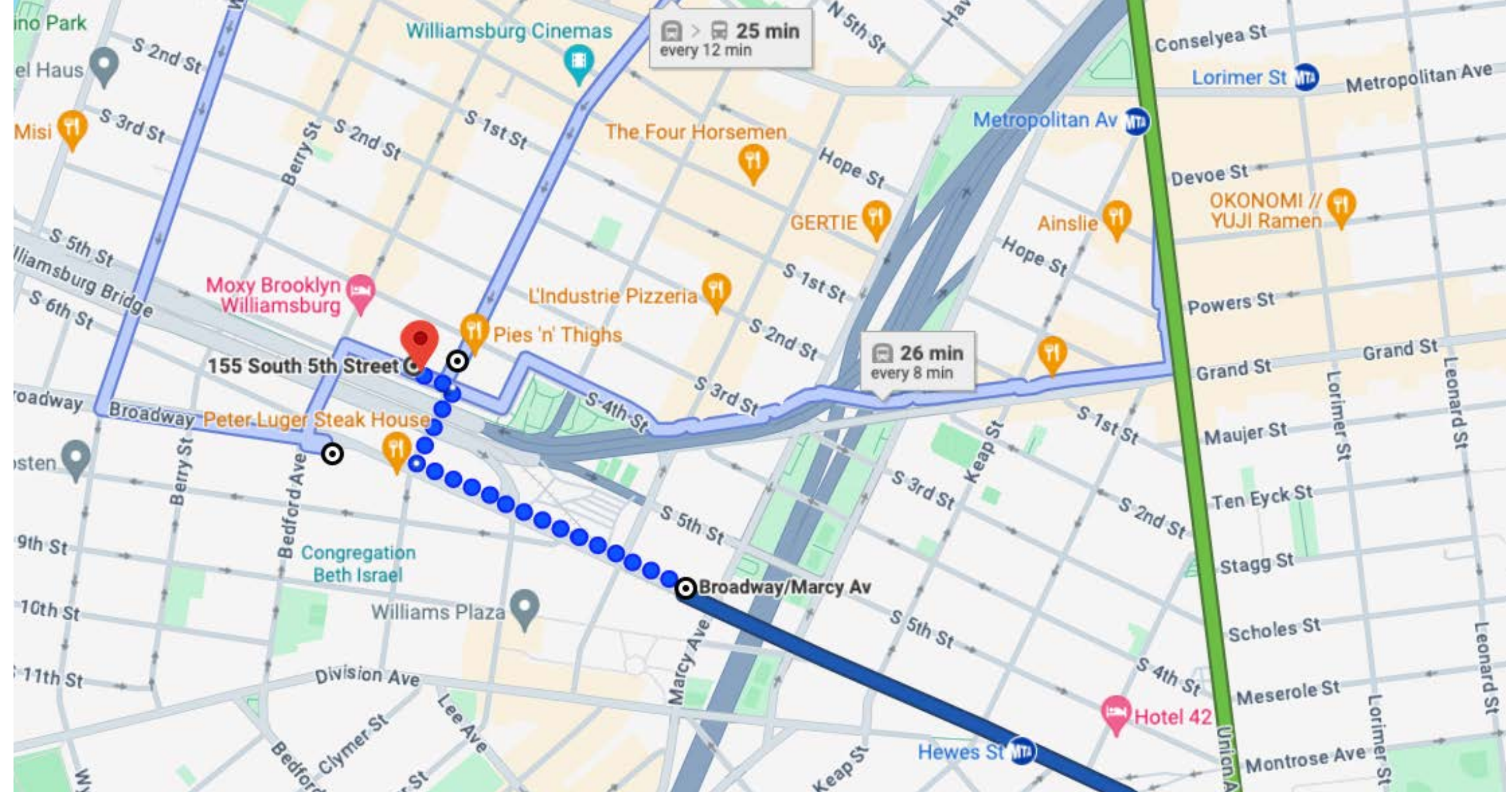
# THE FLOOR PLAN





# JACK STUDIOS SOUND STAGE

## THE DIRECTIONS



- B62 to DRIGGS AV/S 4 ST
- B32 to BROADWAY/BEDFORD AV
- B46 to BROADWAY/MARCY AV

- L TRAIN to BEDFORD AVENUE
- J/M TRAIN to MARCY AVENUE
- G TRAIN to METROPOLITAN AVENUE